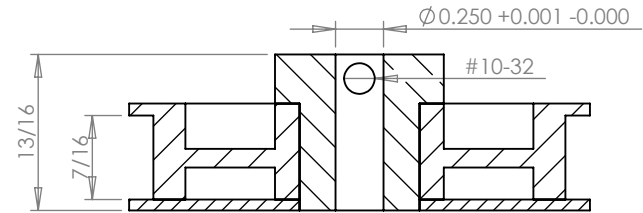
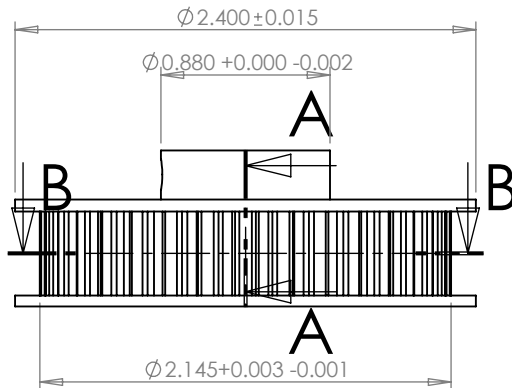
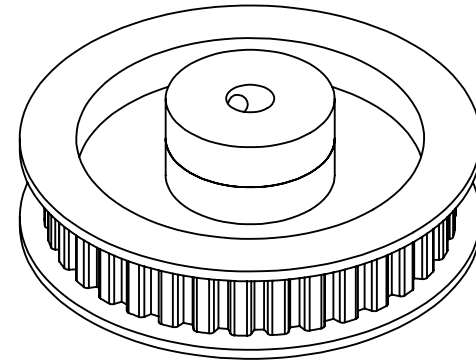


SECTION B-B



SECTION A-A

**PLASTOCK**®  
Manufactured by Putnam Precision Molding

**Part Number:**  
34XL037DFAH1S

www.plastock.biz  
© 2010 Putnam Precision Molding

**Part Description:**  
1/5" Pitch (XL) Timing Belt Pulleys  
For Belts up to 3/8" Wide

Dimensions are in inches  
Tolerances:  
Fractional ± 0.015

**PROPRIETARY AND CONFIDENTIAL :** THE INFORMATION CONTAINED IN THIS DRAWING IS THE SOLE PROPERTY OF PUTNAM PRECISION MOLDING. ANY REPRODUCTION IN PART OR AS A WHOLE WITHOUT THE WRITTEN PERMISSION OF PUTNAM PRECISION MOLDING IS PROHIBITED. INFORMATION IN THIS DRAWING IS PROVIDED FOR REFERENCE ONLY.